

PREMIUM HEIGHT ADJUSTABLE WORKBENCHES



Premium Height Adjustable Workbenches - above & below bench accessories

Additional Product Information

Leg Frame Colour

- Three stage pre treatment and phosphate coating
- One coat epoxy polyester full gloss powder coating with Germ Guard antibacterial ingredient.
- Oven cured at 180 degree celsius

DIMENSIONS

Description	Height	Widths	Depth
Premium Height Adjustable Workbench	730 - 950mm	900, 1200, 1500 & 1800mm	650, 750mm

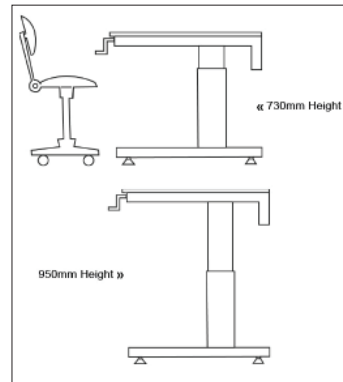
Premium height adjustable workbenches are popular with assembly, production and engineering environments.

GENERAL INFO & FEATURES

- Height adjustable workbenches.
- Adjusts in height from 730mm up to 950mm.
- Removable crank handle at front of bench.
- 3 worktop options available - lino, laminate or solid wood.
- 200kg safe working load, evenly distributed.
- Powder coated light grey framework.

Specification

- 60 x 40mm MS ERW tube
- 50 x 50mm MS steel section
- 32 x 32mm MS ERW foot rail
- Folding crank handle
- Telescopic lifting mechanism
- Planetary gears & worm screw
- Levelling feet for uneven floor
- Load Capacity: 200kg UDL



730mm - 950mm Height



Manual Crank Adjustment

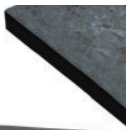
CHOOSING A WORKTOP FOR YOUR WORKBENCH



Laminate Worktops



- Very easy to clean – simple wipe down required after use
- Laminate material makes the surface very resistant to oil or forms of grease
- Solid 20mm thick worktop more than capable of meeting general day to day use
- Express delivery option of 5 working days on Laminate codes with green icon displayed



Linoleum Worktops



- Smooth working surface which is easy to maintain
- 20mm Lino thickness provides a solid working board
- Please note: If working around Alkalis this product is not recommended
- Durable, preserved appearance due to pigments that run throughout the material



Solid Beech Worktops



- Often preferred for DIY and woodwork applications
- Great 27mm thickness provides a sensible option for heavy duty working requirements
- To keep well maintenance: requires sanding as well as oiling down
- Express delivery option - 5 working days on Beech codes with green icon displayed