



# High Lift Pallet Truck

Load capacity: 2500kg



**Effortless**



**Durable**



**Cost Effective**



**Outstanding Quality**

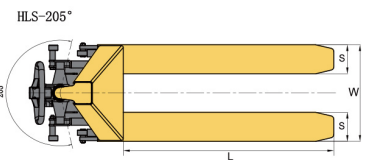
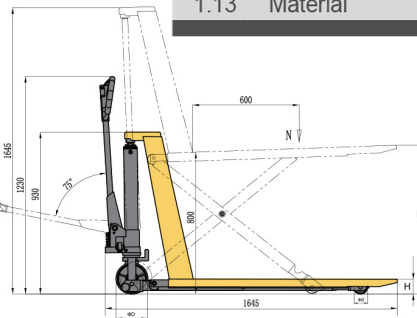


- ◆ PU steering wheel and fork rollers as standard option for damp or harsh environments applications.

# Model: 10310163

## MANUAL HIGH LIFT PALLET TRUCK

Scissor lift pallet truck design to load and unload conveyor, feed presses, or any applications requiring moving and positioning pallets or containers of materials.



MODEL		HLS1500N	
1.1	Capacity	kg	1500
1.2	Min. fork height	H mm	85
1.3	Max.fork height	h mm	800
1.4	Size of fork	S mm	160x50
1.5	Fork overall width	W mm	540/680
1.6	Fork length	L mm	1150
1.7	Size of load wheel	Φd mm	80x70
1.8	Load wheel		Nylon/PU
1.9	Size of steering wheel	ΦD mm	180x50
1.10	Steering wheel		Nylon/PU/Rubber
1.11	Pump		Quick Lift
1.12	Weight	kg	125/130
1.13	Material		NORMAL

- ◆ Equipped with quick lift function doubles the lift speed for loads lighter than 200kg.
- ◆ With pressure relief valve and overload valve to prevent pump damages when loads exceeds weight limits.
- ◆ The enclosed fork tips and reinforced fork frames ensure long service life.

